

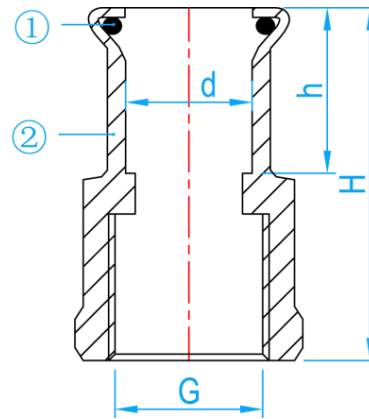
DZR BRASS PRESS FIT FITTINGS



A Product of the nPressGuard® Solution

COMPLY WITH BSEN1254-2:1998

[FI] ADAPTOR



CROSS SECTIONAL VIEW

DIMENSIONS

SKU	SIZE (mm)	d (mm)	h (mm)	H (mm)	G BSP [mm]	WEIGHT (Kg)	PCS/CTN
PFNFIA015	15	15	20	39	½"	0.041	300
PFNFIA020	22	22	21	40	¾"	0.076	160
PFNFIA025	28	28	23	45	1"	0.100	132
PFNFIA035	35	35	26	47	1¼"	0.159	60
PFNFIA042	42	42	30	56	1½"	0.204	48
PFNFIA050	54	54	35	65	2"	0.358	32
PFNFIA065	67	67	50	86	2½"	0.672	20